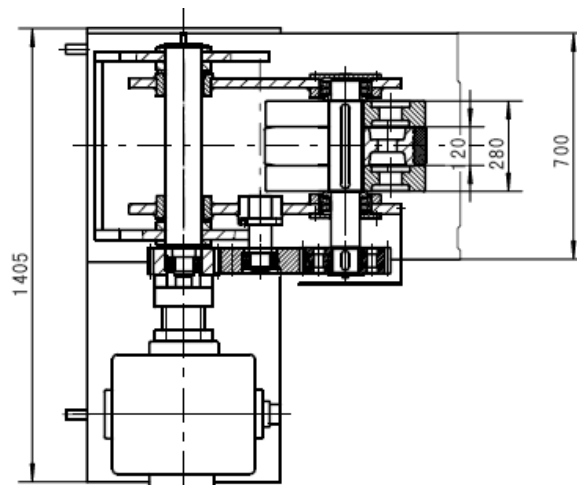
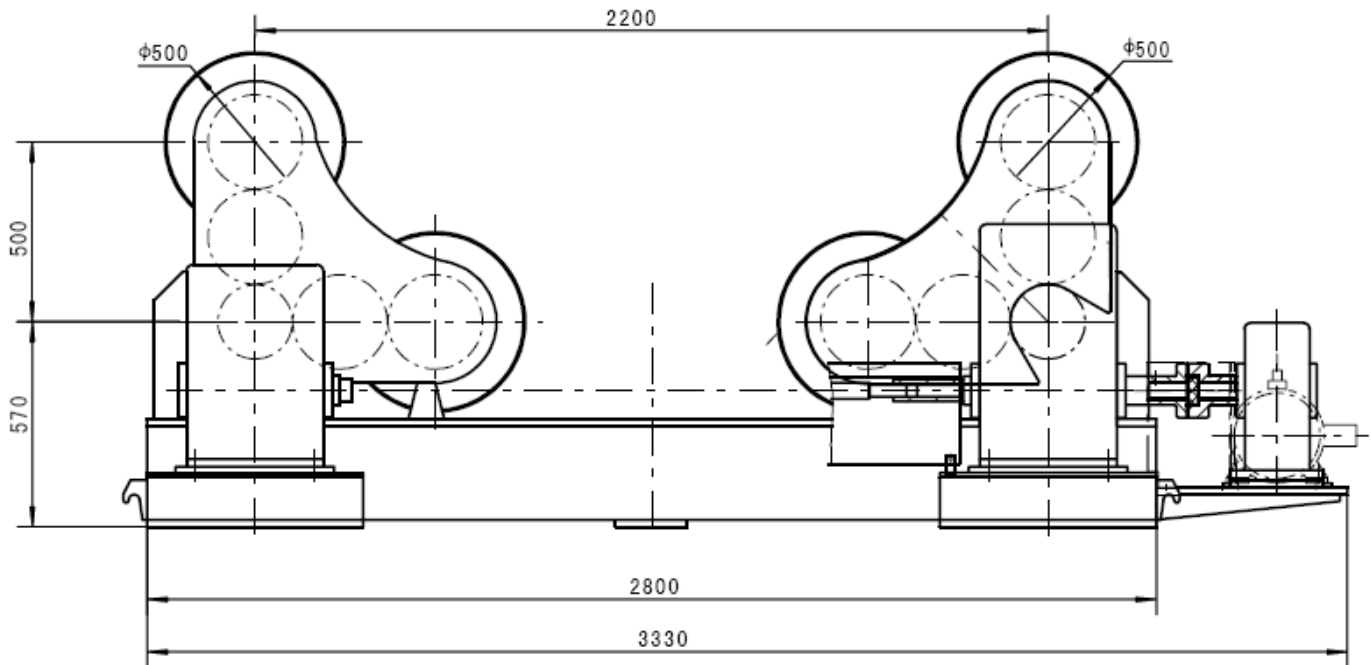




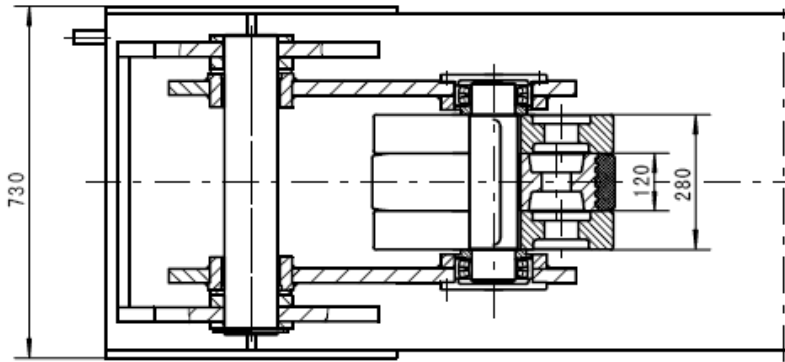
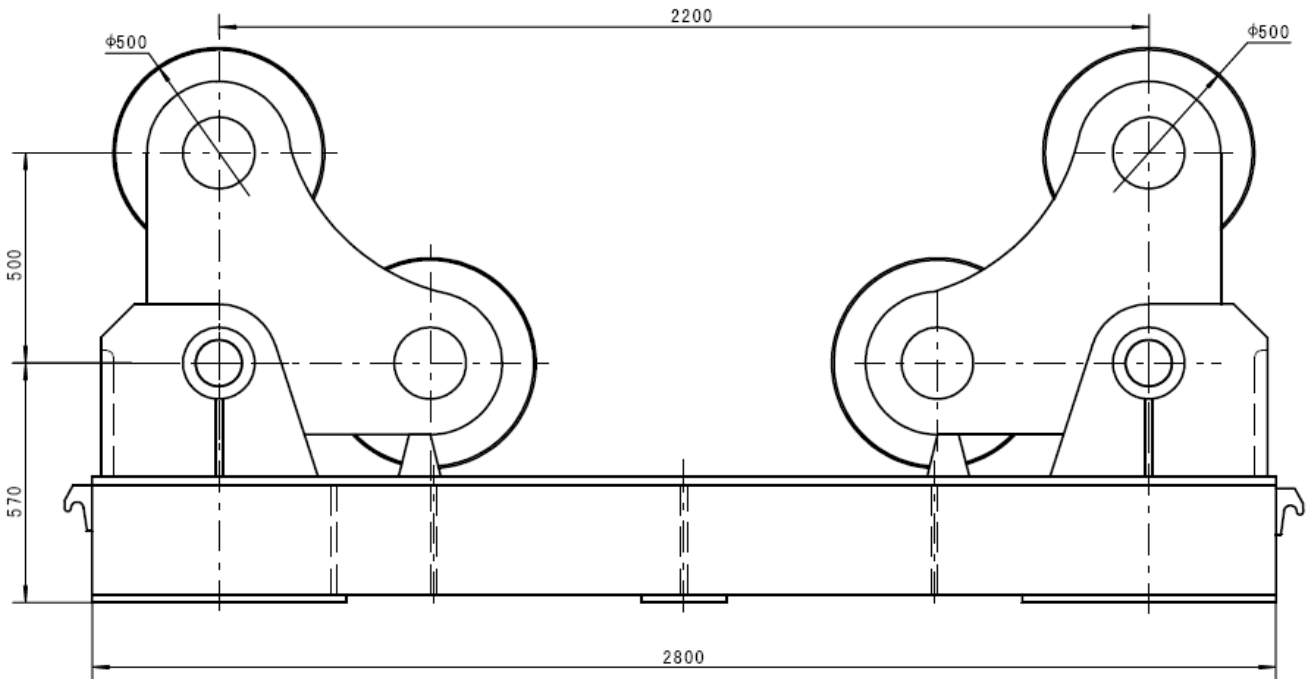
Unit 1, Vauxhall Street,
Dudley, DY1 1TA
TEL : 01384 232121 FAX : 01384 232333
www.mgwelding.co.uk Email : sales@mgwelding.co.uk

**TECHNICAL SPECIFICATION
SELF ALIGNING ROTATORS**

**SAR - 100
100 TONNE CAPACITY**



Idler



Model	Type	Load Capacity (tons)	Rotation Capacity (tons)	Rotation Speed (mm/min)	Power (KW)	Vessel Diameter (mm)	Wheel (mm)		Weight (tons)*
							Diam	Width	
SAR-100	Power	50	100	100-1000	5.50	1000 - 7350	500	260	9.00
	Idler	50	N/A	N/A					