

# 1T PIPE ROTATORS SPECIFICATION

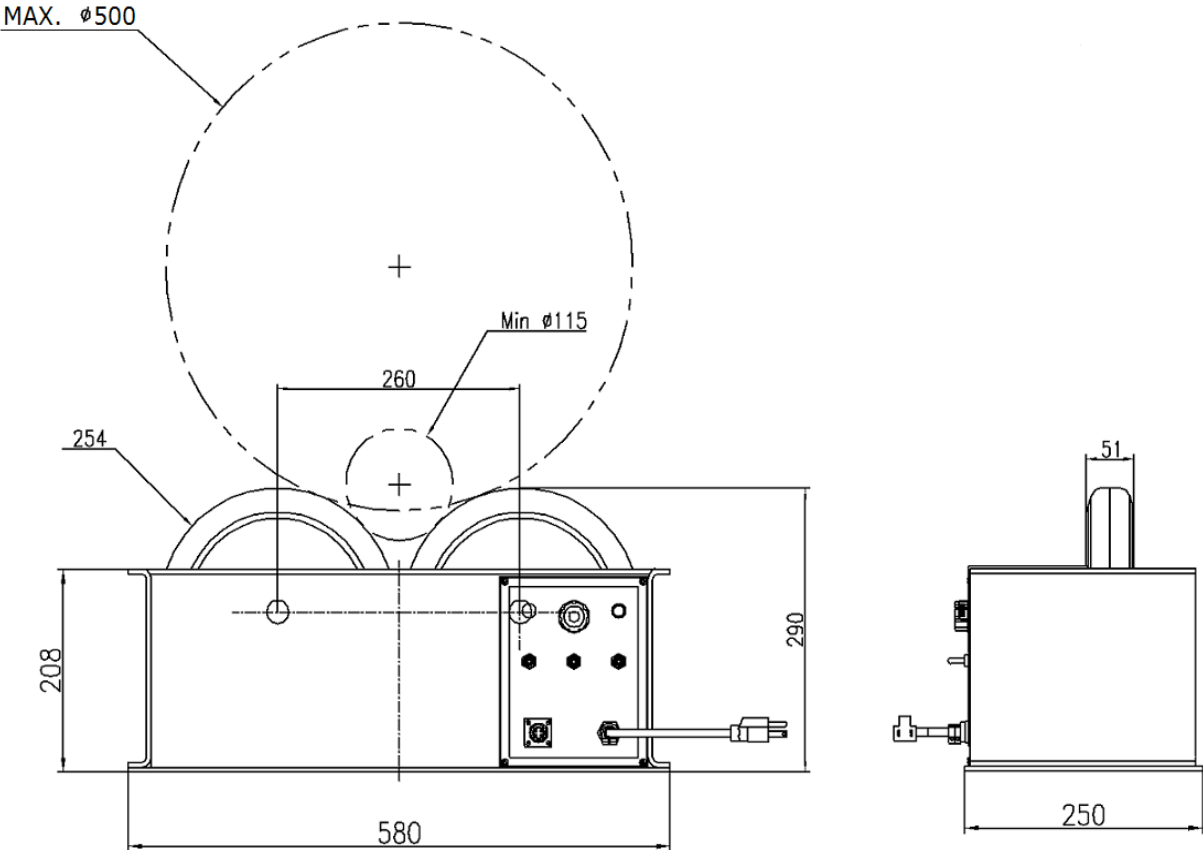
## MGCR -1

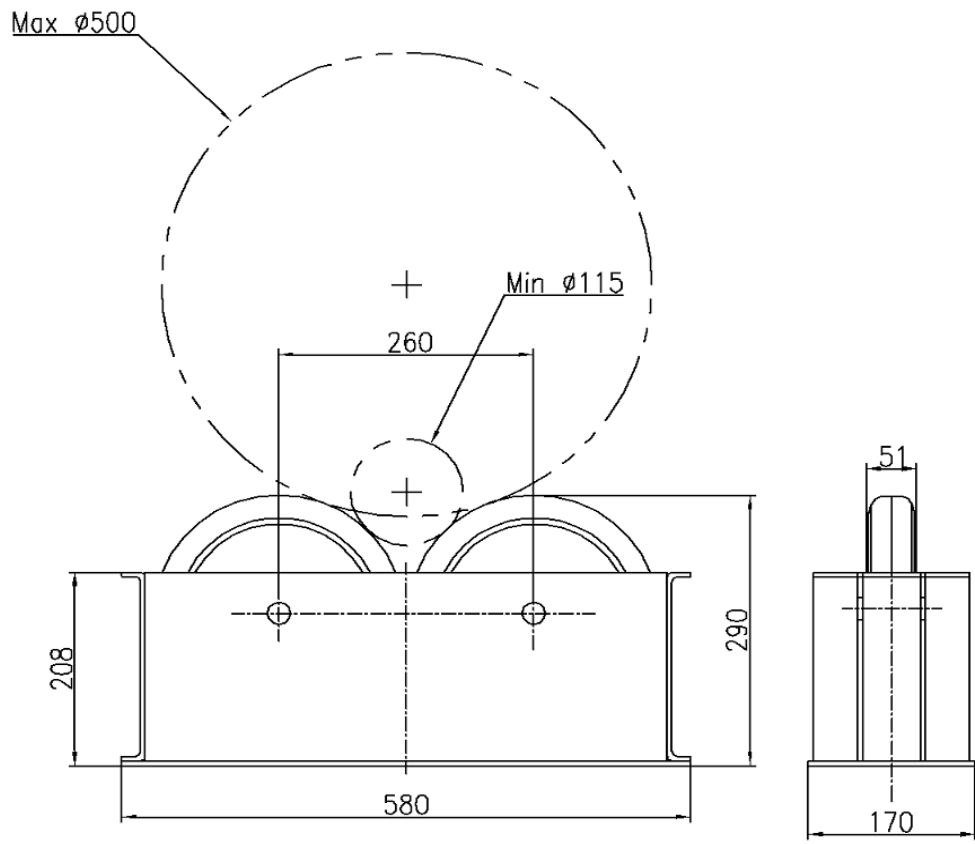


1	Model	MGCR-1
2	Capacity (Loading)	1 Metric Ton
3	Capacity (Turning)	1.5 Metric Ton
4	Vessel Size (Min.)	Φ 115mm
5	Vessel Size (Max.)	Φ 500mm
6	Tyre Type and Size	Polyurethane, Φ10"x 2"
7	Electrical Panel	Yes
8	Control Means	Foot Switch Control Cable 3m
9	Incoming Supply	110 Volt
10	Roller Drive Motor	90VDC, 100W
11	Roller Speed	5580mm/min
12	Surface Preparation	Gritblast to SA2.5
13	Painting	Painting
14	Color	SILVER
15	Qty	2
16	Weight	45kg

# Dimensional Drawings MGCR-1

## ■ Power Roll





**IDLER  
MGCR-1**

---